

RA Ecosystem Partner Solution

VK-RA4W1

Arduino UNO R3 Compliant modules



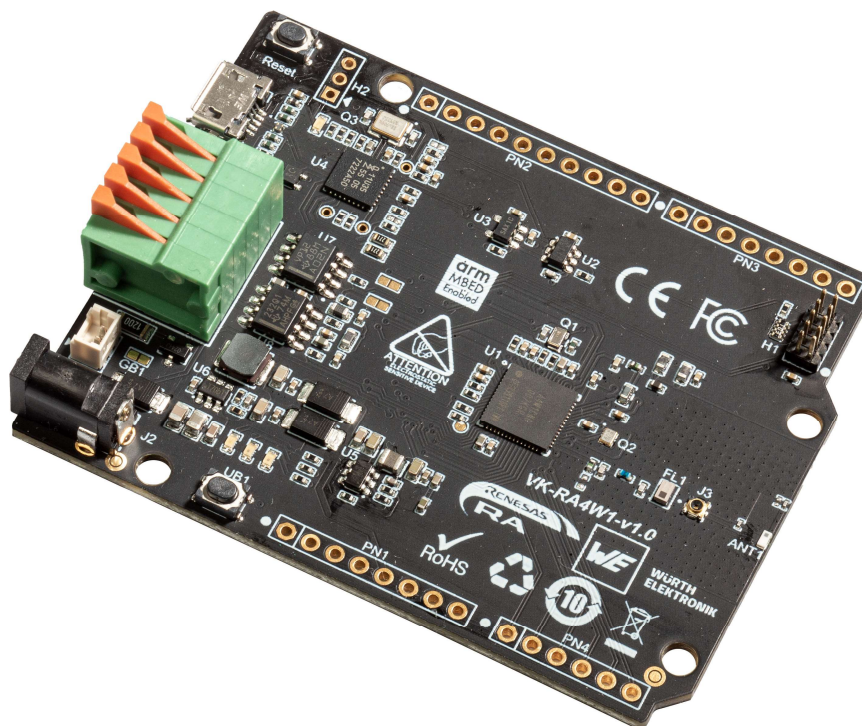
1. Solution Summary

VK-RA4W1 provides better and convenient alternative to Arduino UNO R3 with great reusability of all available UNO's shields. Excellent solution for all kind of industrial, professional or hobby projects.

2. Features/Benefits

- Renesas RA4 ArmCortex®-M4 @ 48MHz
- RAM: 96KB, FLASH: 512KB, BLE Chip Antenna (OnBoard)
- 1x Air Quality (eCO2) Sensor, 1x Humidity + Temperature Sensor
- 1x CAN, 1x RS485, 1(2)x LED(s), 1x Button
- ARM DAPLink (Debugger, Flasher & TTY)

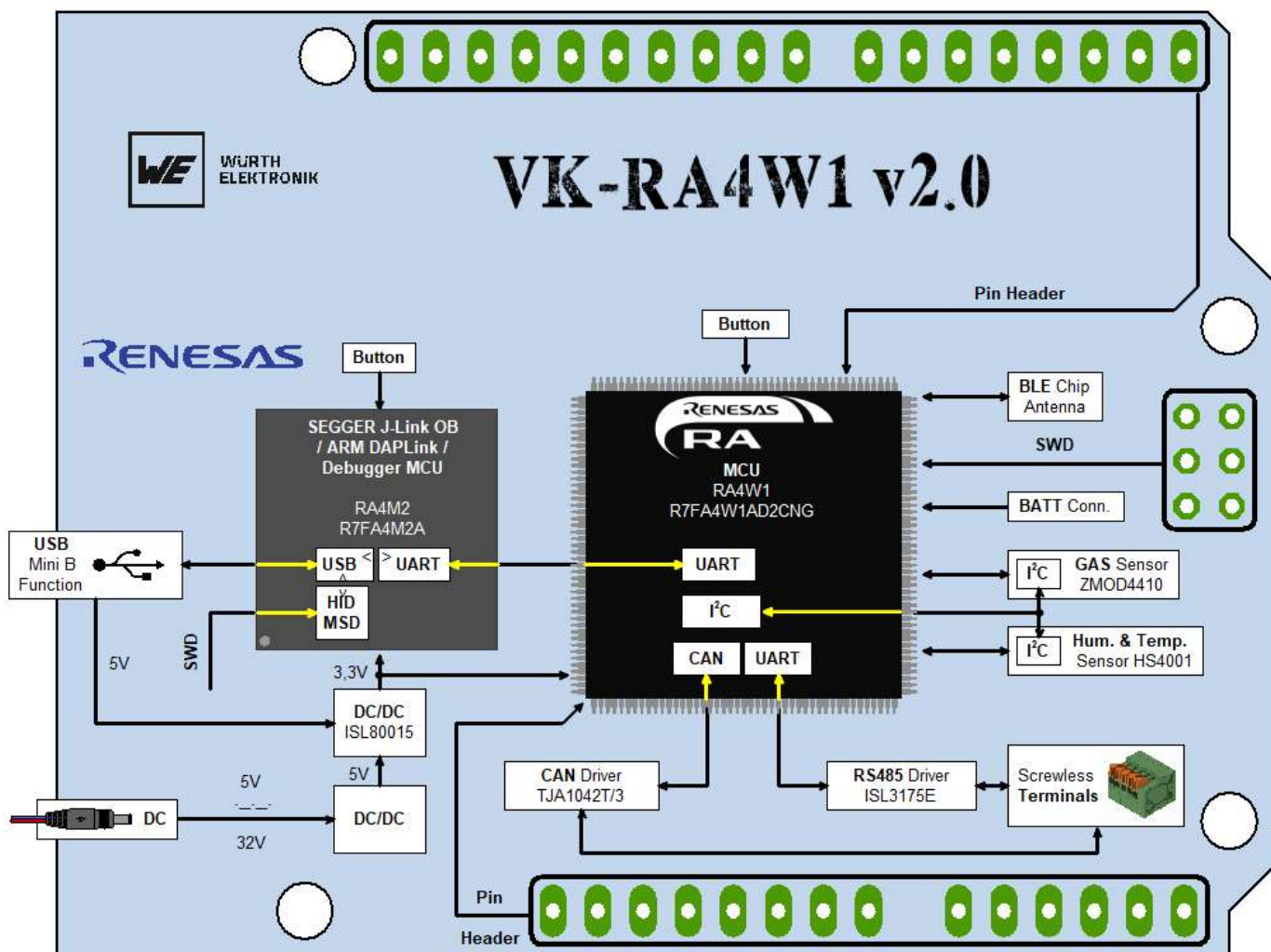
3. Graphics



4. Target Markets and Applications

- BLE applications
- Industrial Automation
- Ultra-low power applications

5. Block Diagram



Learn more:

<https://vekatech.com/products/VK-RA4W1>

Contacts:

Vekatech Ltd.

63, Nestor Abadzhiev str.

4023 Plovdiv

Bulgaria

Tel. +359 (0) 32 262362

Fax. +359 (0) 32 262362

E-Mail: info@vekatech.com

Website: <https://www.vekatech.com>