

RA Ecosystem Partner Solution

VK-RA6M5

Arduino® UNO R3 Form Factor compliant



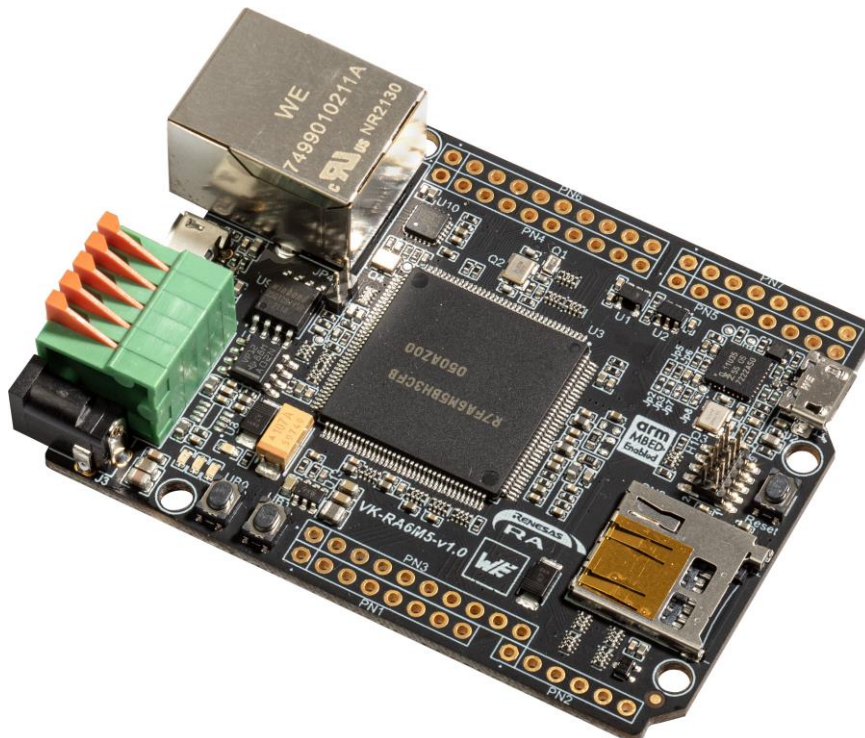
1. Solution Summary

VK-RA6M5 provides better and convenient alternative to Arduino® UNO R3 with great reusability of all available UNO's shields. Excellent solution for all kind of industrial, professional or hobby projects.

2. Features/Benefits

- Renesas RA6 ArmCortex®-M33 @ 200MHz
- RAM: 512KB (OnChip) + 128MB OCTA (OnBoard)
- FLASH: 2MB (OnChip) + 16MB QSPI (OnBoard) + 128MB OCTA (OnBoard)
- 1x RJ45, 1x SDHI, 1x µUSB 2.0, 1x CAN FD, 1x RS485, 3x LEDs, 2x Buttons
- ARM DAPLink (Debugger, Flasher & TTY)

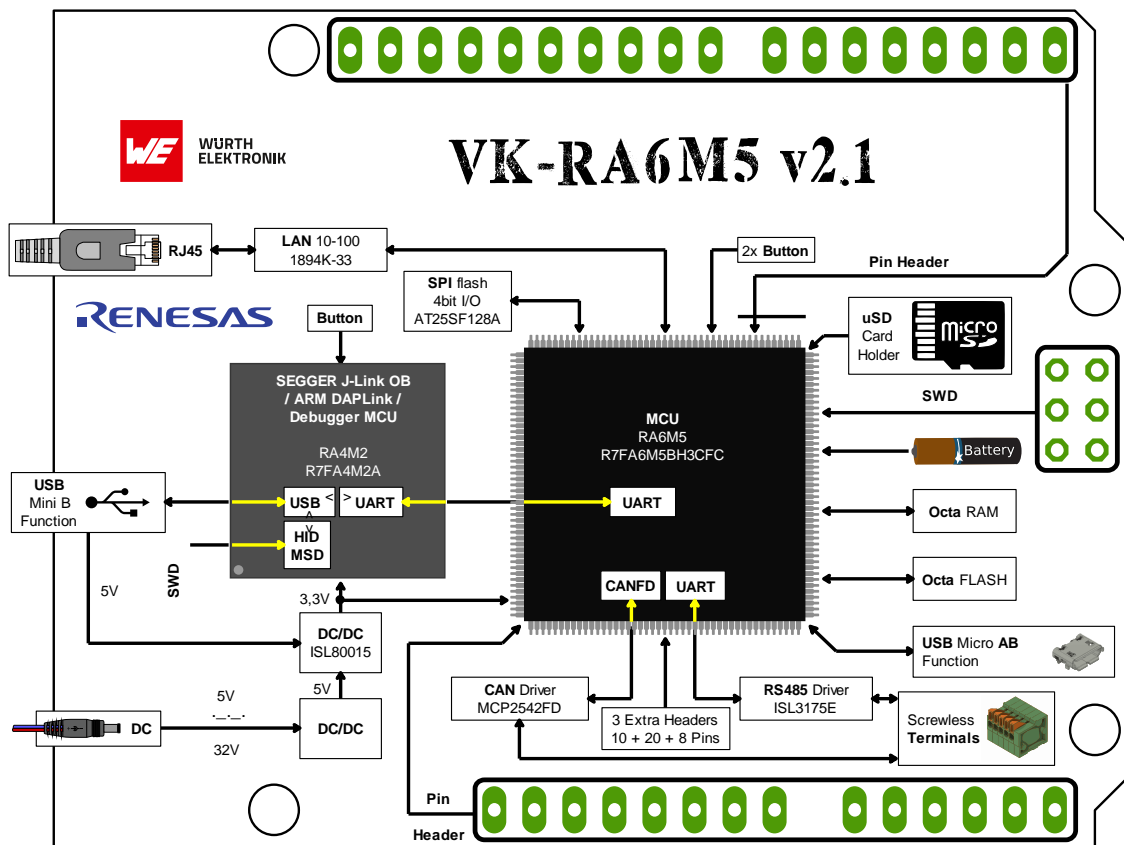
3. Graphics



4. Target Markets and Applications

- Computing
- Home Automation
- Industrial Automation
- Robotics
- IoT Applications
- Consumer Electronics

5. Block Diagram



Learn more:

<https://vekatech.com/products/VK-RA6M5>

Contacts:

Vekatech Ltd.

63, Nestor Abadzhiev str.

4023 Plovdiv

Bulgaria

Tel. +359 (0) 32 262362

Fax. +359 (0) 32 262362

E-Mail: info@vekatech.com

Website: <https://www.vekatech.com>