

RZ Ecosystem Partner Solution

VK-RZ/Five

Raspberry Pi® 4 Form Factor Compliant



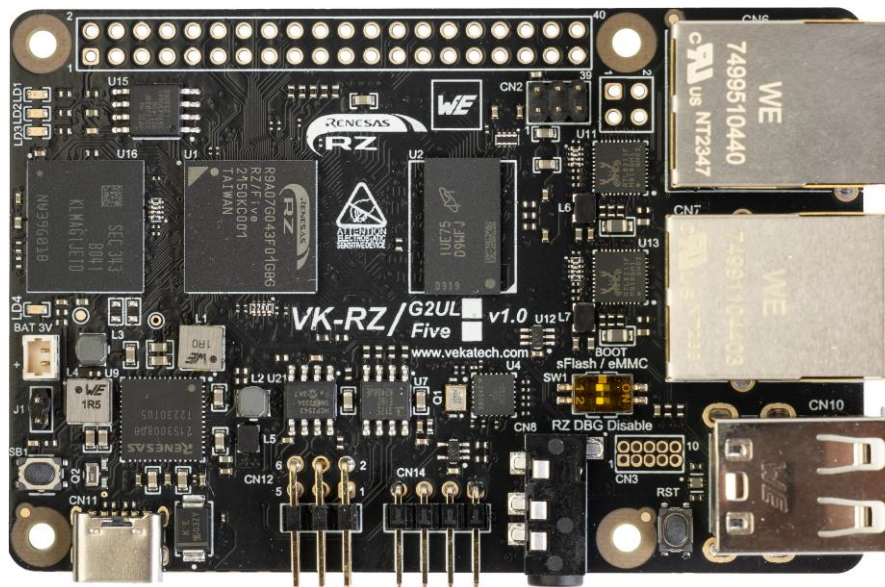
Solution Summary

VK-RZ/Five is built for industrial use and is compatible with Raspberry Pi® 4 shields. Excellent solution for all kind of industrial, professional or hobby projects.

Features/Benefits

- Renesas RZ/Five RISC-V AX45MP @ 1GHz + FPU
- RAM: 2GB DDR4, FLASH: 16MB QSPI & 16GB eMMC, 1x CAN FD, 1x RS485, 1x SDHI
- 2x Gigabit RJ45 (1x PoE), 2x Host USB 2.0 Type A, 1x User BTN, 3x User LEDs (R|G|B)
- 1x 3.5mm Audio, 1x UART (System TTY), USB Type C (Power Only), JTAG Dbg Connector

Diagrams/Graphics

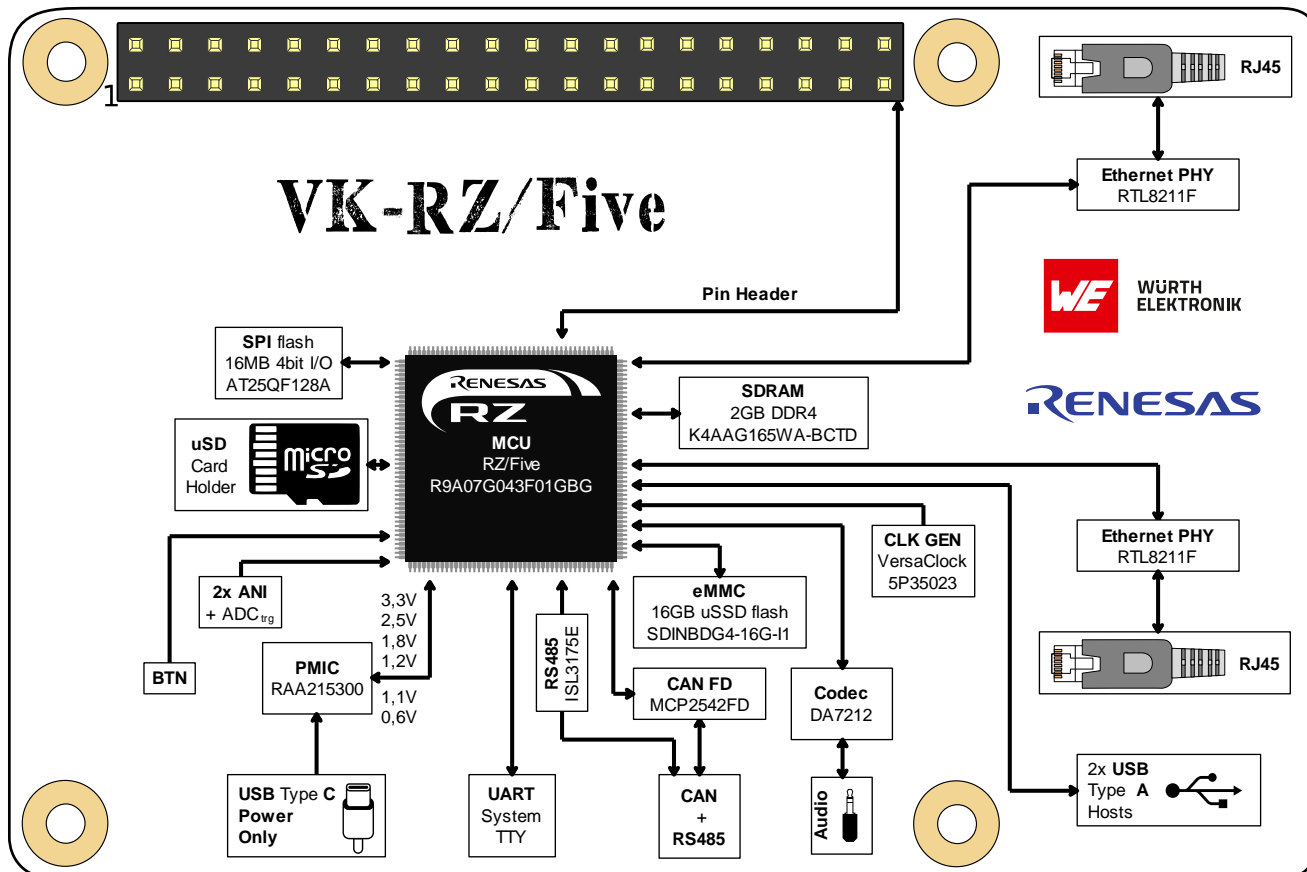


Target Markets and Applications

- Smart Home
- Home Automation
- Industrial Automation
- Robotics
- IoT Applications

www.vekatech.com/products/VK-RZFive

PRELIMINARY



Learn more:

www.vekatech.com/products/VK-RZFive

Contacts:

Vekatech Ltd.

63, Nestor Abadzhiev str.

4023 Plovdiv

Bulgaria

Tel. +359 (0) 32 262362

Fax. +359 (0) 32 262362

E-Mail: info@vekatech.com

Website: <https://www.vekatech.com>