

## RZ Ecosystem Partner Solution

# VK-RZ/V2L

## Raspberry Pi® 4 Form Factor Compliant



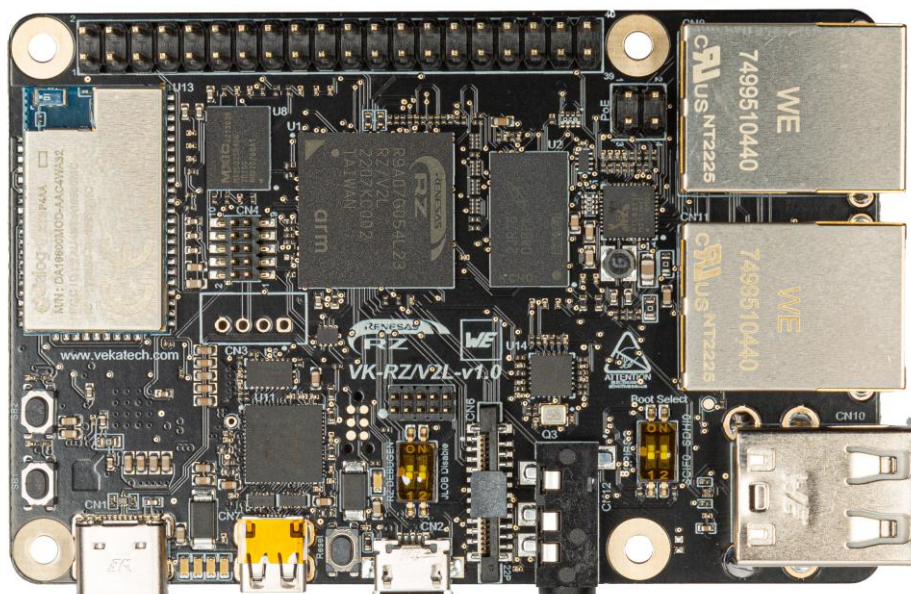
### 1. Solution Summary

VK-RZ/V2L is built for industrial use and is compatible with Raspberry Pi® 4 shields for convenient AI integration. Excellent solution for all kind of industrial, professional or hobby projects.

### 2. Features/Benefits

- Renesas RZ/V2L 2x ArmCortex®-A55 @ 1.2GHz + Cortex®-M33, 2x Gigabit RJ45 (1x PoE)
- RAM: 1GB DDR4 (OnBoard), FLASH: 32MB QSPI + 32GB eMMC/uSSD (OnBoard),
- 1x 22pin FPC Camera (MIPI-CSI), 1x µHDMI 1.4 Video, 1x 3.5mm Audio, 1x SDHI,
- WiFi / BLE module (DA16600), 2x Host USB 2.0 A, 4x User LEDs (R|G|B|Y), 2x User BTN,
- 1x µUSB 2.0 A (SEGGER J-Link OB / ARM DAPLink / System TTY)

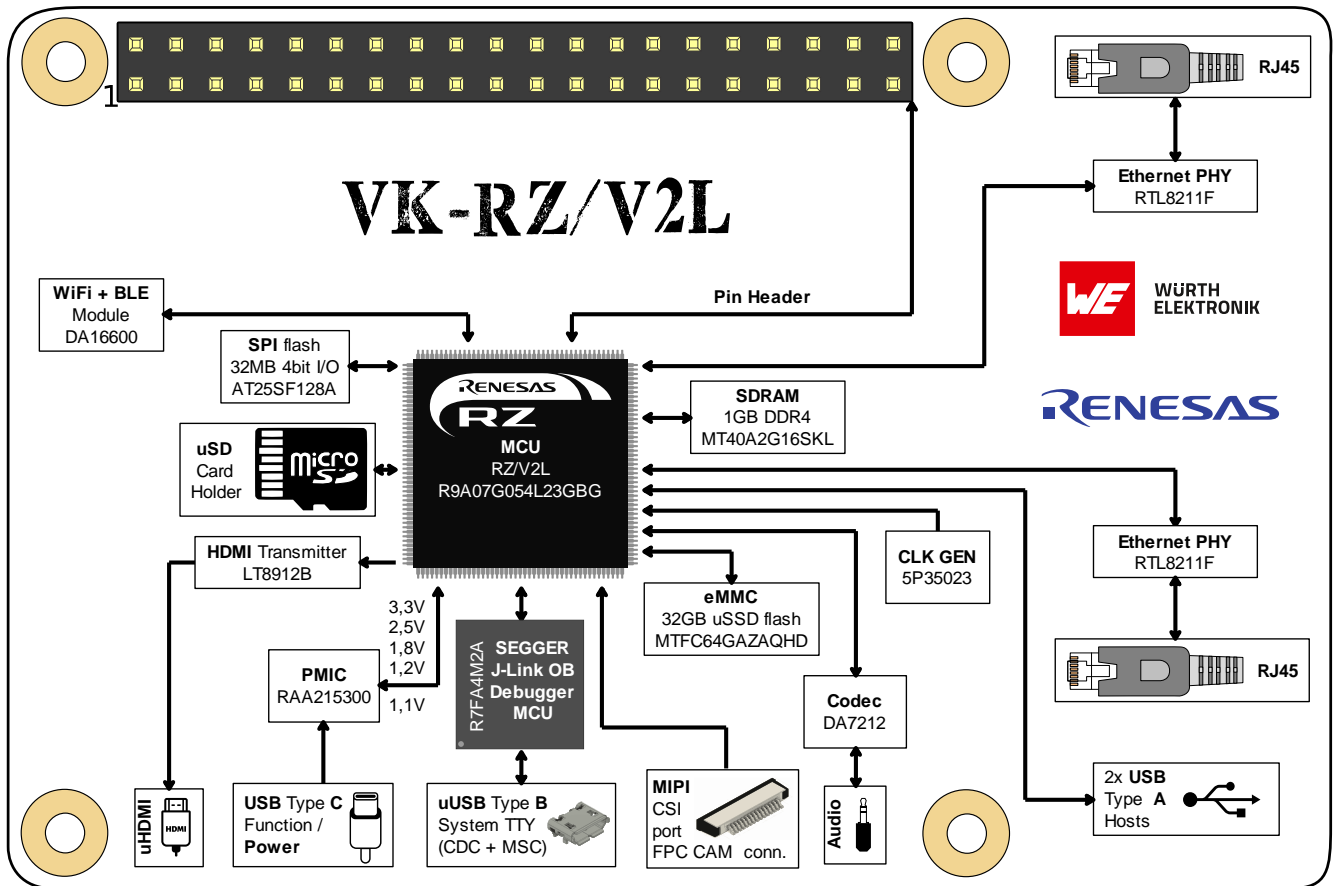
### 3. Graphics



### 4. Target Markets and Applications

- Artificial Intelligence
- Home Automation
- Industrial Automation
- Robotics
- IoT Applications
- Computer Vision

## 5. Block Diagram



Learn more:

<https://vekatech.com/products/VK-RZV2L>

Contacts:

Vekatech Ltd.

63, Nestor Abadzhiev str.

4023 Plovdiv

Bulgaria

Tel. +359 (0) 32 262362

Fax. +359 (0) 32 262362

E-Mail: [info@vekatech.com](mailto:info@vekatech.com)

Website: <https://www.vekatech.com>